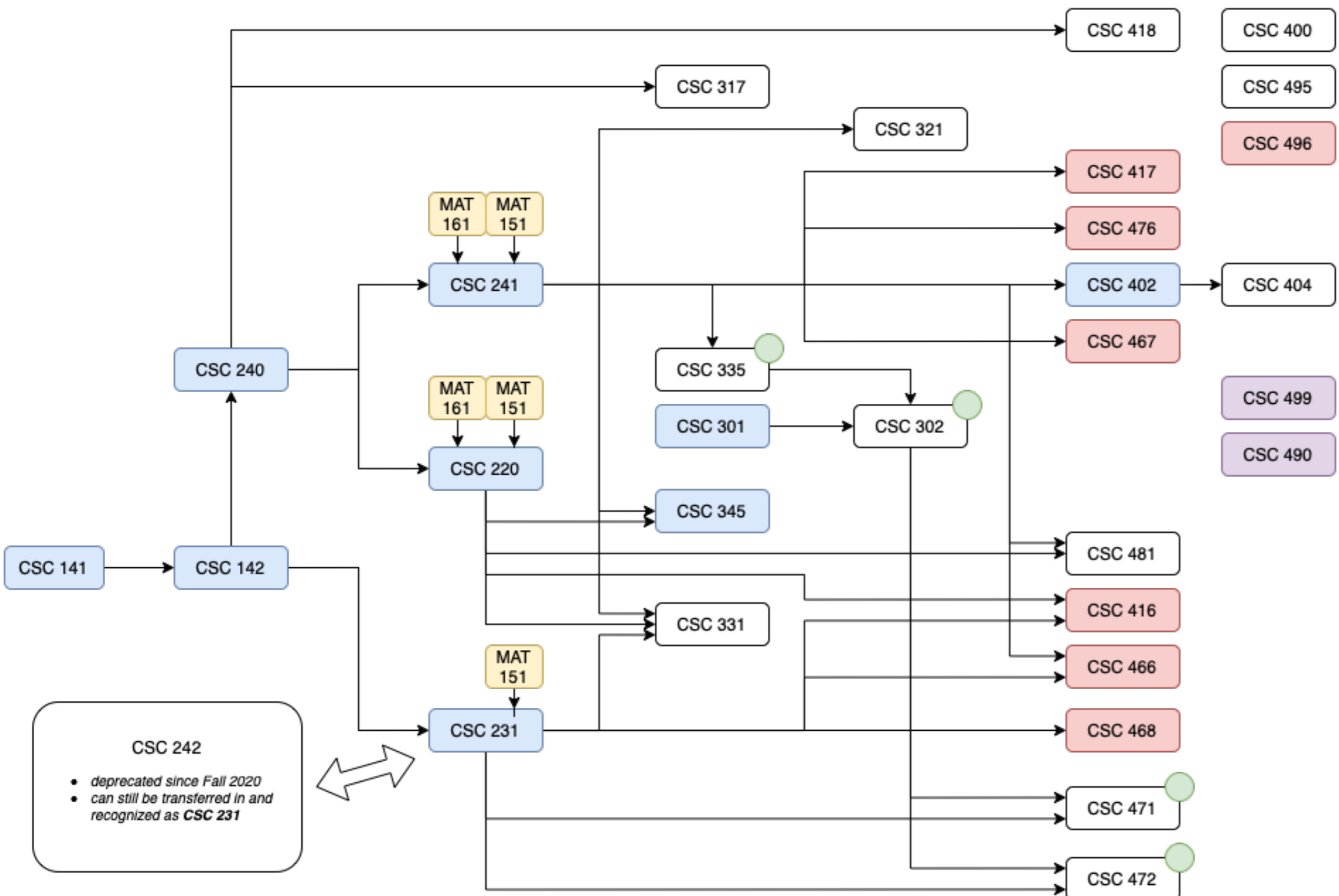


Fall 2022 Computer Science Courses and Prerequisites

[Link to Detailed Course Descriptions](#)



- CSC 141. Computer Science I.
- CSC 142. Computer Science II.
- CSC 220. Foundations of Computer Science.
- CSC 231. Computer Systems.
- CSC 240. Computer Science III.
- CSC 241. Data Structures & Algorithms.
- CSC 242. Computer Organization.
- CSC 301. Computer Security & Ethics.
- CSC 302. Computer Security.
- CSC 317. Introduction to Digital Image Processing.
- CSC 321. Data Base Management Systems.
- CSC 331. Operating Systems.
- CSC 335. Data Communications and Networking I.
- CSC 345. Programming Language Concepts/Paradigms.
- CSC 400. Internship.
- CSC 402. Software Engineering.
- CSC 404. Software Testing.
- CSC 416. Design/Construction Compilers.
- CSC 417. User Interfaces.
- CSC 418. Modern Web Applications using Server-Side Technologies
- CSC 466. Distributed and Parallel Computing.
- CSC 467. Big Data Engineering
- CSC 468. Introduction to Cloud Computing.
- CSC 471. Modern Malware Analysis.
- CSC 472. Software Security.
- CSC 476. Game Development.
- CSC 481. Artificial Intelligence.
- CSC 490. Independent Project in Computer Science.
- CSC 495. Topics in Computer Science.
- CSC 496. Topics in Complex Large-Scale Systems.
- CSC 497. Topics in Computer Security.
- CSC 499. Independent Study in Computer Science.

Diagram Legends:

- Core CSC
- CSC Electives: Complex Large-Scale
- CSC Electives: Independent Study
- CSC Electives: 300/400

